



### AS7 gPV NH2XL Size



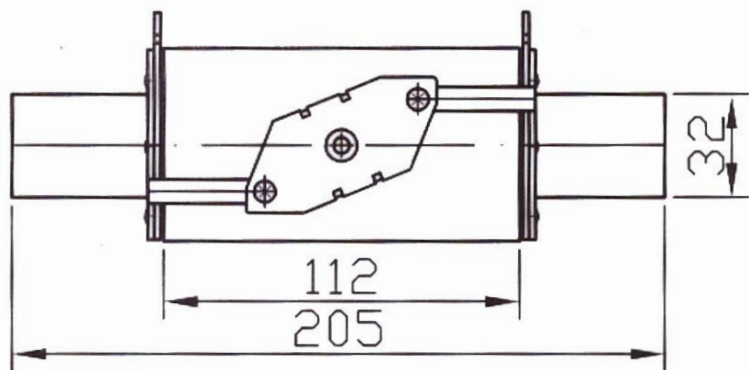
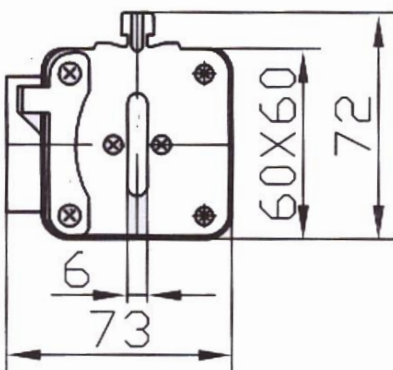
#### FEATURES:

- Rated voltage: 1000 VDC, class gPV
- Rated Current: 125~400A
- Rated Breaking Capacity: 30 kA
- Max Dissipation: 65W
- Standard: IEC60269

#### ELECTRICAL SPECIFICATIONS

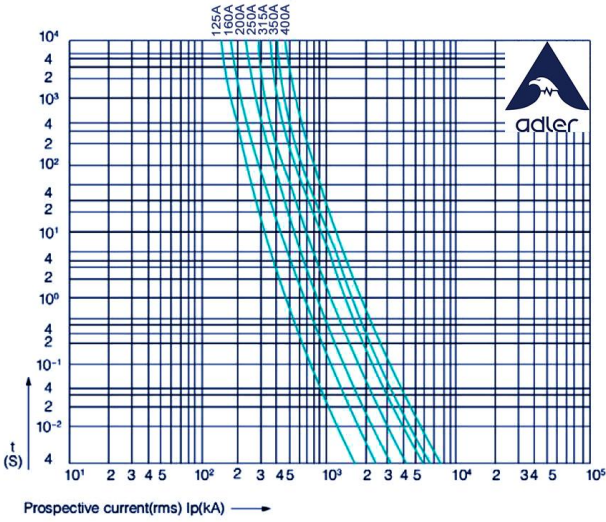
#### DIMENSIONS (mm)

Part Number	Rated Current	I <sup>2</sup> t (A <sup>2</sup> s)		Max Dissipation (W)		Certifications TÜV
		Pre-Arc	Total @ Rated Voltage	70% In	100% In	
AS73125700	125A	2200	18000	50	65	•
AS73160700	160A	2780	21000	50	65	•
AS73200700	200A	4950	37000	50	65	•
AS73250700	250A	9450	70000	50	65	•
AS73315700	315A	16600	123000	50	65	•
AS73350700	350A	20000	160000	50	65	•
AS73400700	400A	30000	250000	50	65	•

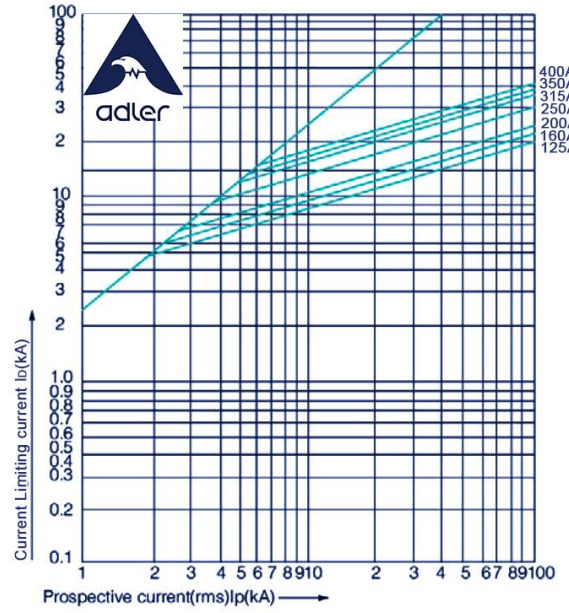




**TIME/ CURRENT (I-T) CHART (reference)**  
(reference)



**CURRENT LIMITING-CURRENT**



**MATCHING FUSE HOLDERS/ ACCESSORIES:**

- Holders NH3L/NH2XL Series.

